

## levelling elements

### LBE PH

in steel zinc-plated & in stainless steel



## product overview

### levelling elements in steel zinc-plated



LBE 5 PH

base plate

Ø 52 mm

page

5

LBE 7 PH

Ø 76 mm

6

LBE 10 PH

Ø 105 mm

7

LBE 13 PH

Ø 135 mm

8

### levelling elements in stainless steel



LBE 5 PH

Ø 52 mm

9

LBE 7 PH

Ø 76 mm

10

LBE 10 PH

Ø 105 mm

11

LBE 13 PH

Ø 135 mm

12

## product overview

levelling elements in stainless steel  
with holes for ground-fastening

base plate

page



LBE 7 BF PH

110 x 80 mm

13 & 14

floor-fastening plates in compound material



BFPK 7

suitable for  
LBE 7 PH

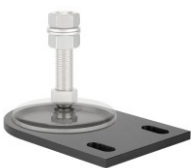
15 & 16



BFPK 10

suitable for  
LBE 10 PH

15 & 16



BFPK 13

suitable for  
LBE 13 PH

15 & 16

bolt anchors for floor-fastening



FAZ

suitable for  
LBE 7 BF PH  
and  
BFPK

17

## levelling elements LBE PH

Highly versatile machine levelling feet with modular design for various thread lengths and thread sizes. In electro-plated steel ( zinc ) or stainless steel, featuring pendulum action for angular compensation of floor unevenness. The base plate in the stainless steel version is available in polished finish, or sandblasted at extra charge.

Series LBE: the perfect match for levelling and vibration dampening of machinery and devices in the low-to-medium weight range.

The levelling element consists of base plate, thread and a hexagonal capped nut. The NBR non-slip and isolation board ( 80 Shore A ) features a concentric profiling, and proves resistant towards water, mineral oils, fuels, basic / acidic solutions, suds, salts and detergents. Base plate diameters 52 mm, 76 mm, 105 mm and 135 mm, flexible net thread length and load-per-point ranging from 300 daN to 1500 daN.

optional:

- special thread lengths, other thread sizes and fine pitch threads
- additional spanner surfaces
- ready-made sets as per customer requirement, individually packed and labelled
- floor-fastening plates ( refer to pages 15 & 16 )

Custom solutions and modifications as per customer's request are possible any time, owing to our high internal manufacturing depth ( CNC and conventional ).

### product highlights:



modular:  
thread sizes and thread lengths



modular:  
four base plate sizes



material options  
steel zinc-plated or stainless steel



elastomer NBR  
with non-slip profile

## levelling elements LBE 5 PH | Ø 52 mm | version STEEL ZINC-PLATED

base plate, thread, washers and nuts: steel zinc-plated

VERSION ZINC-PLATED	measurements ± 1 mm								
	description	article number	Ø mm	M	H mm	L mm	H <sub>1</sub> mm	SW mm	shore hardness ±5 Shore
LBE5/PH/M8x50	2000 0001	52	M 8	85	50	35	17	80	300
LBE5/PH/M8x100	2000 0003	52	M 8	135	100	35	17	80	300
LBE5/PH/M8x150	2000 0005	52	M 8	185	150	35	17	80	300
LBE5/PH/M8x200	2000 0007	52	M 8	235	200	35	17	80	300
LBE5/PH/M10x50	2000 0010	52	M 10	85	50	35	17	80	300
LBE5/PH/M10x100	2000 0012	52	M 10	135	100	35	17	80	300
LBE5/PH/M10x150	2000 0014	52	M 10	185	150	35	17	80	300
LBE5/PH/M10x200	2000 0016	52	M 10	235	200	35	17	80	300
LBE5/PH/M12x50	2000 0019	52	M 12	88	50	38	19	80	300
LBE5/PH/M12x100	2000 0021	52	M 12	138	100	38	19	80	300
LBE5/PH/M12x150	2000 0023	52	M 12	188	150	38	19	80	300
LBE5/PH/M12x200	2000 0025	52	M 12	238	200	38	19	80	300
LBE5/PH/M14x50	2000 0028	52	M 14	89	50	39	24	80	300
LBE5/PH/M14x100	2000 0030	52	M 14	139	100	39	24	80	300
LBE5/PH/M14x150	2000 0032	52	M 14	189	150	39	24	80	300
LBE5/PH/M14x200	2000 0034	52	M 14	239	200	39	24	80	300
LBE5/PH/M14x250	2000 0035	52	M 14	289	250	39	24	80	300
LBE5/PH/M16x100	2000 0039	52	M16	139	100	39	24	80	300
LBE5/PH/M16x150	2000 0041	52	M16	189	150	39	24	80	300
LBE5/PH/M16x200	2000 0043	52	M16	239	200	39	24	80	300
LBE5/PH/M16x250	2000 0044	52	M16	289	250	39	24	80	300
LBE5/PH/M18x100	2000 0386	52	M 18	139	100	39	24	80	300
LBE5/PH/M18x150	2000 0387	52	M 18	189	150	39	24	80	300
LBE5/PH/M18x200	2000 0388	52	M 18	239	200	39	24	80	300
LBE5/PH/M18x250	2000 0389	52	M 18	289	250	39	24	80	300

measurement L of the levelling screw relates to the net thread length

including:

2 nuts DIN 934

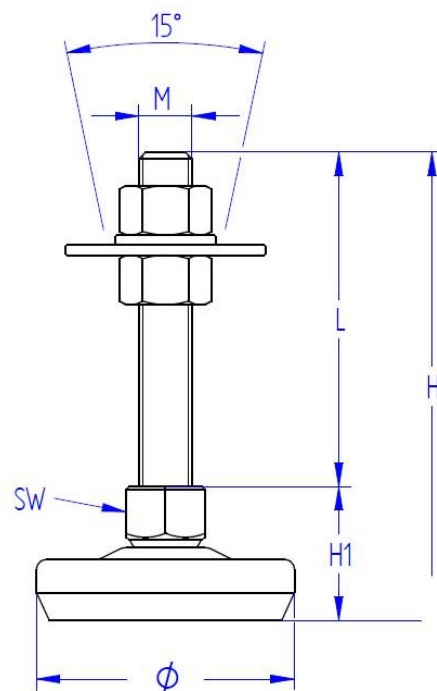
and

2 washers (1 x DIN 125 and 1 x DIN 9021)

not assembled

assembly of the nuts and washers available at extra charge

thread	standard thread lengths					
	L					
	in mm					
M 8	50	100	150	200	*250	*300
M 10	50	100	150	200	*250	*300
M 12	50	100	150	200	*250	*300
M 14	50	100	150	200	250	*300
M 16	*50	100	150	200	250	*300
M 18	*50	100	150	200	250	*300
M 20	*50	100	150	200	250	300
M 24	*50	*100	150	200	250	300
M 24x1,5	*	*	*	*	*	*
M 30	*50	*100	150	200	250	300
M 30x1,5	*	*	*	*	*	*



measurement L of the levelling screw relates to the net thread length

optional: further thread sizes, special- and intermediate thread lengths as well as other metric fine pitch thread sizes

\* on request

## levelling elements LBE 7 PH | Ø 76 mm | version STEEL ZINC-PLATED

base plate, thread, washers and nuts: steel zinc-plated

VERSION ZINC-PLATED	measurements ± 1 mm									
	description	article number	Ø mm	M	H mm	L mm	H <sub>1</sub> mm	SW mm	shore hardness ±5 Shore	load max. daN
LBE7/PH/M10x50	2000 0100	76	M 10	87	50	37	17	17	80	900
LBE7/PH/M10x100	2000 0102	76	M 10	137	100	37	17	17	80	900
LBE7/PH/M10x150	2000 0104	76	M 10	187	150	37	17	17	80	900
LBE7/PH/M10x200	2000 0106	76	M 10	237	200	37	17	17	80	900
LBE7/PH/M12x50	2000 0109	76	M 12	91	50	41	19	19	80	900
LBE7/PH/M12x100	2000 0111	76	M 12	141	100	41	19	19	80	900
LBE7/PH/M12x150	2000 0113	76	M 12	191	150	41	19	19	80	900
LBE7/PH/M12x200	2000 0115	76	M 12	241	200	41	19	19	80	900
LBE7/PH/M14x100	2000 0120	76	M 14	142	100	42	24	24	80	900
LBE7/PH/M14x150	2000 0122	76	M 14	192	150	42	24	24	80	900
LBE7/PH/M14x200	2000 0124	76	M 14	242	200	42	24	24	80	900
LBE7/PH/M14x250	2000 0125	76	M 14	292	250	42	24	24	80	900
LBE7/PH/M16x100	2000 0129	76	M 16	142	100	42	24	24	80	900
LBE7/PH/M16x150	2000 0131	76	M 16	192	150	42	24	24	80	900
LBE7/PH/M16x200	2000 0133	76	M 16	242	200	42	24	24	80	900
LBE7/PH/M16x250	2000 0134	76	M 16	292	250	42	24	24	80	900
LBE7/PH/M18x100	2000 0390	76	M 18	142	100	42	24	24	80	900
LBE7/PH/M18x150	2000 0391	76	M 18	192	150	42	24	24	80	900
LBE7/PH/M18x200	2000 0392	76	M 18	242	200	42	24	24	80	900
LBE7/PH/M18x250	2000 0393	76	M 18	292	250	42	24	24	80	900
LBE7/PH/M20x100	2000 0138	76	M 20	146	100	46	30	30	80	900
LBE7/PH/M20x150	2000 0140	76	M 20	196	150	46	30	30	80	900
LBE7/PH/M20x200	2000 0142	76	M 20	246	200	46	30	30	80	900
LBE7/PH/M20x250	2000 0143	76	M 20	296	250	46	30	30	80	900
LBE7/PH/M20x300	2000 0144	76	M 20	346	300	46	30	30	80	900

measurement L of the levelling screw relates to the net thread length

including:

2 nuts DIN 934

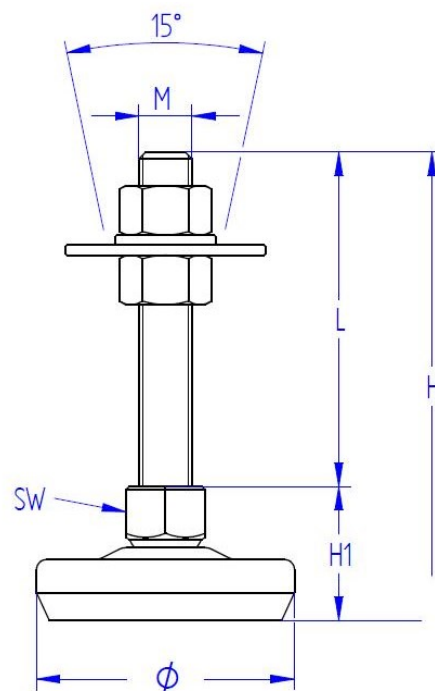
and

2 washers (1 x DIN 125 and 1 x DIN 9021)

not assembled

assembly of the nuts and washers available at extra charge

thread	standard thread lengths					
	L					
	in mm					
M 8	50	100	150	200	*250	*300
M 10	50	100	150	200	*250	*300
M 12	50	100	150	200	*250	*300
M 14	*50	100	150	200	250	*300
M 16	*50	100	150	200	250	*300
M 18	*50	100	150	200	250	*300
M 20	*50	100	150	200	250	300
M 24	*50	*100	150	200	250	300
M 24x1,5	*	*	*	*	*	*
M 30	*50	*100	150	200	250	300
M 30x1,5	*	*	*	*	*	*



measurement L of the levelling screw relates to the net thread length

optional: further thread sizes, special- and intermediate thread lengths as well as other metric fine pitch thread sizes

\* on request

## levelling elements LBE 10 PH | Ø 105 mm | version STEEL ZINC-PLATED

base plate, thread, washers and nuts: steel zinc-plated

VERSION ZINC-PLATED	measurements ± 1 mm								
		Ø	M	H	L	H <sub>1</sub>	SW	shore hardness	load
description	article number	mm		mm	mm	mm	mm	±5 Shore	max. daN
LBE10/PH/M12x50	2000 0199	105	M 12	90	50	40	19	80	1200
LBE10/PH/M12x100	2000 0201	105	M 12	140	100	40	19	80	1200
LBE10/PH/M12x150	2000 0203	105	M 12	190	150	40	19	80	1200
LBE10/PH/M12x200	2000 0205	105	M 12	240	200	40	19	80	1200
LBE10/PH/M14x100	2000 0210	105	M 14	141	100	41	24	80	1200
LBE10/PH/M14x150	2000 0212	105	M 14	191	150	41	24	80	1200
LBE10/PH/M14x200	2000 0214	105	M 14	241	200	41	24	80	1200
LBE10/PH/M14x250	2000 0215	105	M 14	291	250	41	24	80	1200
LBE10/PH/M16x100	2000 0219	105	M 16	141	100	41	24	80	1200
LBE10/PH/M16x150	2000 0221	105	M 16	191	150	41	24	80	1200
LBE10/PH/M16x200	2000 0223	105	M 16	241	200	41	24	80	1200
LBE10/PH/M16x250	2000 0224	105	M 16	291	250	41	24	80	1200
LBE10/PH/M18x100	2000 0394	105	M 18	141	100	41	24	80	1200
LBE10/PH/M18x150	2000 0395	105	M 18	191	150	41	24	80	1200
LBE10/PH/M18x200	2000 0396	105	M 18	241	200	41	24	80	1200
LBE10/PH/M18x250	2000 0397	105	M 18	291	250	41	24	80	1200
LBE10/PH/M20x100	2000 0228	105	M 20	145	100	45	30	80	1200
LBE10/PH/M20x150	2000 0230	105	M 20	195	150	45	30	80	1200
LBE10/PH/M20x200	2000 0232	105	M 20	245	200	45	30	80	1200
LBE10/PH/M20x250	2000 0233	105	M 20	295	250	45	30	80	1200
LBE10/PH/M24x150	2000 0239	105	M 24	195	150	45	30	80	1200
LBE10/PH/M24x200	2000 0241	105	M 24	245	200	45	30	80	1200
LBE10/PH/M24x250	2000 0242	105	M 24	295	250	45	30	80	1200
LBE10/PH/M24x300	2000 0243	105	M 24	345	300	45	30	80	1200

measurement L of the levelling screw relates to the net thread length

including:

2 nuts DIN 934

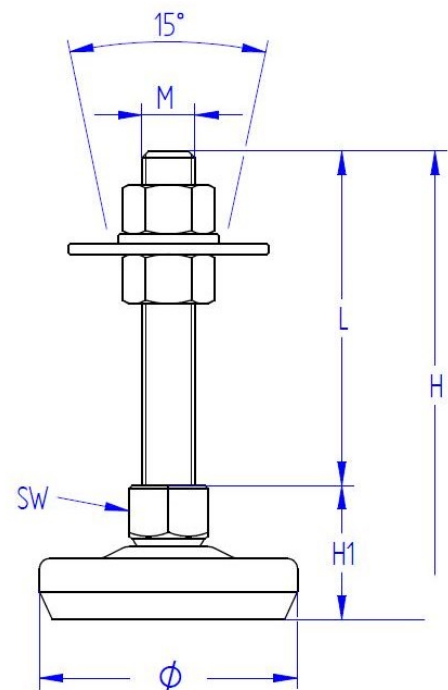
and

2 washers (1 x DIN 125 and 1 x DIN 9021 - from M24 onwards: 2 x DIN 125)

not assembled

assembly of the nuts and washers available at extra charge

thread	standard thread lengths					
	L					
	in mm					
M 8	50	100	150	200	*250	*300
M 10	50	100	150	200	*250	*300
M 12	50	100	150	200	*250	*300
M 14	*50	100	150	200	250	*300
M 16	*50	100	150	200	250	*300
M 18	*50	100	150	200	250	*300
M 20	*50	100	150	200	250	*300
M 24	*50	*100	150	200	250	300
M 24x1,5	*	*	*	*	*	*
M 30	*50	*100	150	200	250	300
M 30x1,5	*	*	*	*	*	*



measurement L of the levelling screw relates to the net thread length

optional: further thread sizes, special- and intermediate thread lengths as well as other metric fine pitch thread sizes

\* on request

## levelling elements LBE 13 PH | Ø 135 mm | version STEEL ZINC-PLATED

base plate, thread, washers and nuts: steel zinc-plated

VERSION ZINC-PLATED	measurements ± 1 mm								
		Ø	M	H	L	H <sub>1</sub>	SW	shore hardness	load
description	article number	mm		mm	mm	mm	mm	±5 Shore	max. daN
LBE13/PH/M14x100	2000 0300	135	M 14	143	100	43	24	80	1500
LBE13/PH/M14x150	2000 0302	135	M 14	193	150	43	24	80	1500
LBE13/PH/M14x200	2000 0304	135	M 14	243	200	43	24	80	1500
LBE13/PH/M14x250	2000 0305	135	M 14	293	250	43	24	80	1500
LBE13/PH/M16x100	2000 0309	135	M 16	143	100	43	24	80	1500
LBE13/PH/M16x150	2000 0311	135	M 16	193	150	43	24	80	1500
LBE13/PH/M16x200	2000 0313	135	M 16	243	200	43	24	80	1500
LBE13/PH/M16x250	2000 0314	135	M 16	293	250	43	24	80	1500
LBE13/PH/M18x100	2000 0398	135	M 18	143	100	43	24	80	1500
LBE13/PH/M18x150	2000 0399	135	M 18	193	150	43	24	80	1500
LBE13/PH/M18x200	2000 0400	135	M 18	243	200	43	24	80	1500
LBE13/PH/M18x250	2000 0401	135	M 18	293	250	43	24	80	1500
LBE13/PH/M20x100	2000 0318	135	M 20	147	100	47	30	80	1500
LBE13/PH/M20x150	2000 0320	135	M 20	197	150	47	30	80	1500
LBE13/PH/M20x200	2000 0322	135	M 20	247	200	47	30	80	1500
LBE13/PH/M20x250	2000 0323	135	M 20	297	250	47	30	80	1500
LBE13/PH/M24x150	2000 0329	135	M 24	197	150	47	30	80	1500
LBE13/PH/M24x200	2000 0331	135	M 24	247	200	47	30	80	1500
LBE13/PH/M24x250	2000 0332	135	M 24	297	250	47	30	80	1500
LBE13/PH/M24x300	2000 0333	135	M 24	347	300	47	30	80	1500
LBE13/PH/M30x150	2000 0347	135	M 30	202	150	52	36	80	1500
LBE13/PH/M30x200	2000 0349	135	M 30	252	200	52	36	80	1500
LBE13/PH/M30x250	2000 0350	135	M 30	302	250	52	36	80	1500
LBE13/PH/M30x300	2000 0351	135	M 30	352	300	52	36	80	1500

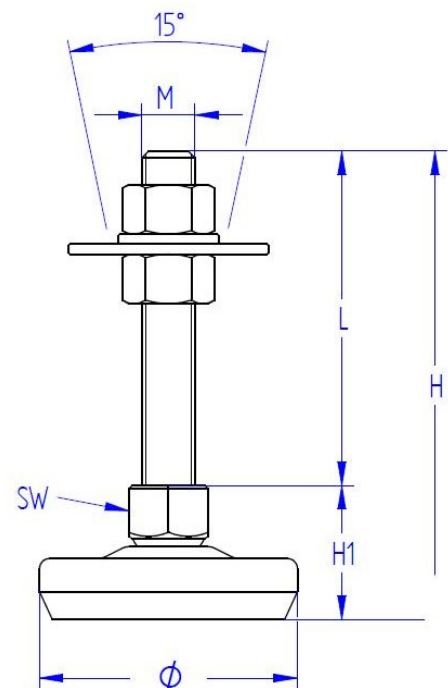
measurement L of the levelling screw relates to the net thread length

including:

- 2 nuts DIN 934
- and
- 2 washers (1 x DIN 125 and 1 x DIN 9021 - from M24 onwards: 2 x DIN 125)
- not assembled

assembly of the nuts and washers available at extra charge

thread	standard thread lengths					
	L					
	in mm					
M 8	50	100	150	200	*250	*300
M 10	50	100	150	200	*250	*300
M 12	50	100	150	200	*250	*300
M 14	*50	100	150	200	250	*300
M 16	*50	100	150	200	250	*300
M 18	*50	100	150	200	250	*300
M 20	*50	100	150	200	250	*300
M 24	*50	*100	150	200	250	300
M 24x1,5	*	*	*	*	*	*
M 30	*50	*100	150	200	250	300
M 30x1,5	*	*	*	*	*	*



measurement L of the levelling screw relates to the net thread length

optional: further thread sizes, special- and intermediate thread lengths as well as other metric fine pitch thread sizes

\* on request



## levelling elements LBE 5 PH | Ø 52 mm | version STAINLESS STEEL

base plate, thread, washers and nuts: stainless steel

VERSION STAINLESS STEEL	measurements ± 1 mm								
	description	article number	Ø mm	M	H mm	L mm	H <sub>1</sub> mm	SW mm	shore hardness ±5 Shore
LBE5/PH/M8x50	3000 0001	52	M 8	85	50	35	17	80	300
LBE5/PH/M8x100	3000 0003	52	M 8	135	100	35	17	80	300
LBE5/PH/M8x150	3000 0005	52	M 8	185	150	35	17	80	300
LBE5/PH/M8x200	3000 0007	52	M 8	235	200	35	17	80	300
LBE5/PH/M10x50	3000 0008	52	M 10	85	50	35	17	80	300
LBE5/PH/M10x100	3000 0010	52	M 10	135	100	35	17	80	300
LBE5/PH/M10x150	3000 0012	52	M 10	185	150	35	17	80	300
LBE5/PH/M10x200	3000 0014	52	M 10	235	200	35	17	80	300
LBE5/PH/M12x50	3000 0015	52	M 12	88	50	38	19	80	300
LBE5/PH/M12x100	3000 0017	52	M 12	138	100	38	19	80	300
LBE5/PH/M12x150	3000 0019	52	M 12	188	150	38	19	80	300
LBE5/PH/M12x200	3000 0021	52	M 12	238	200	38	19	80	300
LBE5/PH/M14x50	3000 0022	52	M 14	89	50	39	24	80	300
LBE5/PH/M14x100	3000 0024	52	M 14	139	100	39	24	80	300
LBE5/PH/M14x150	3000 0026	52	M 14	189	150	39	24	80	300
LBE5/PH/M14x200	3000 0028	52	M 14	239	200	39	24	80	300
LBE5/PH/M14x250	3000 0029	52	M 14	289	250	39	24	80	300
LBE5/PH/M16x100	3000 0033	52	M16	139	100	39	24	80	300
LBE5/PH/M16x150	3000 0035	52	M16	189	150	39	24	80	300
LBE5/PH/M16x200	3000 0037	52	M16	239	200	39	24	80	300
LBE5/PH/M16x250	3000 0038	52	M16	289	250	39	24	80	300
LBE5/PH/M18x100	3000 0285	52	M 18	139	100	39	24	80	300
LBE5/PH/M18x150	3000 0286	52	M 18	189	150	39	24	80	300
LBE5/PH/M18x200	3000 0287	52	M 18	239	200	39	24	80	300
LBE5/PH/M18x250	3000 0288	52	M 18	289	250	39	24	80	300

measurement L of the levelling screw relates to the net thread length

including:

2 nuts DIN 934

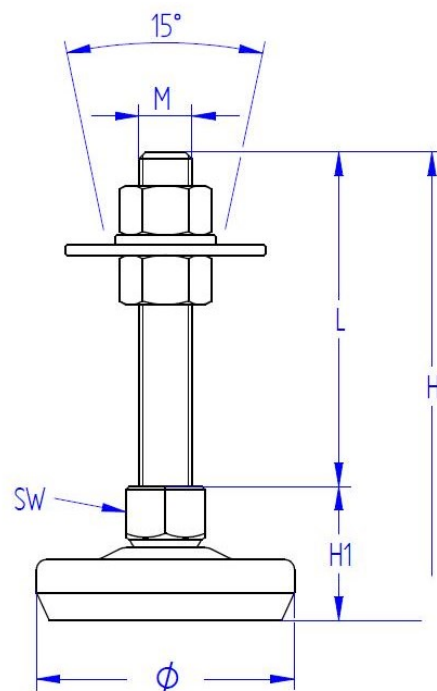
and

2 washers (1 x DIN 125 and 1 x DIN 9021)

not assembled

assembly of the nuts and washers and sand-blasting of the base plate  
available at extra charge

thread	standard thread lengths					
	L					
	in mm					
M 8	50	100	150	200	*250	*300
M 10	50	100	150	200	*250	*300
M 12	50	100	150	200	*250	*300
M 14	50	100	150	200	250	*300
M 16	*50	100	150	200	250	*300
M 18	*50	100	150	200	250	*300
M 20	*50	100	150	200	250	300
M 24	*50	*100	150	200	250	300
M 24x1,5	*	*	*	*	*	*
M 30	*50	*100	150	200	250	300
M 30x1,5	*	*	*	*	*	*



measurement L of the levelling screw relates to the net thread length

optional: further thread sizes, special- and intermediate thread lengths as well as other metric fine pitch thread sizes

\* on request

## levelling elements LBE 7 PH | Ø 76 mm | version STAINLESS STEEL

base plate, thread, washers and nuts: stainless steel

VERSION STAINLESS STEEL	measurements ± 1 mm								
	description	article number	Ø mm	M	H mm	L mm	H <sub>1</sub> mm	SW mm	shore hardness ±5 Shore
LBE7/PH/M10x50	3000 0074	76	M 10	86	50	36	17	80	900
LBE7/PH/M10x100	3000 0076	76	M 10	136	100	36	17	80	900
LBE7/PH/M10x150	3000 0078	76	M 10	186	150	36	17	80	900
LBE7/PH/M10x200	3000 0080	76	M 10	236	200	36	17	80	900
LBE7/PH/M12x50	3000 0081	76	M 12	90	50	40	19	80	900
LBE7/PH/M12x100	3000 0083	76	M 12	140	100	40	19	80	900
LBE7/PH/M12x150	3000 0085	76	M 12	190	150	40	19	80	900
LBE7/PH/M12x200	3000 0087	76	M 12	240	200	40	19	80	900
LBE7/PH/M14x100	3000 0090	76	M 14	141	100	41	24	80	900
LBE7/PH/M14x150	3000 0092	76	M 14	191	150	41	24	80	900
LBE7/PH/M14x200	3000 0094	76	M 14	241	200	41	24	80	900
LBE7/PH/M14x250	3000 0095	76	M 14	291	250	41	24	80	900
LBE7/PH/M16x100	3000 0099	76	M 16	141	100	41	24	80	900
LBE7/PH/M16x150	3000 0101	76	M 16	191	150	41	24	80	900
LBE7/PH/M16x200	3000 0103	76	M 16	241	200	41	24	80	900
LBE7/PH/M16x250	3000 0104	76	M 16	291	250	41	24	80	900
LBE7/PH/M18x100	3000 0289	76	M 18	141	100	41	24	80	900
LBE7/PH/M18x150	3000 0290	76	M 18	191	150	41	24	80	900
LBE7/PH/M18x200	3000 0291	76	M 18	241	200	41	24	80	900
LBE7/PH/M18x250	3000 0292	76	M 18	291	250	41	24	80	900
LBE7/PH/M20x100	3000 0108	76	M 20	145	100	45	30	80	900
LBE7/PH/M20x150	3000 0110	76	M 20	195	150	45	30	80	900
LBE7/PH/M20x200	3000 0112	76	M 20	245	200	45	30	80	900
LBE7/PH/M20x250	3000 0113	76	M 20	295	250	45	30	80	900
LBE7/PH/M20x300	3000 0114	76	M 20	345	300	45	30	80	900

measurement L of the levelling screw relates to the net thread length

including:

2 nuts DIN 934

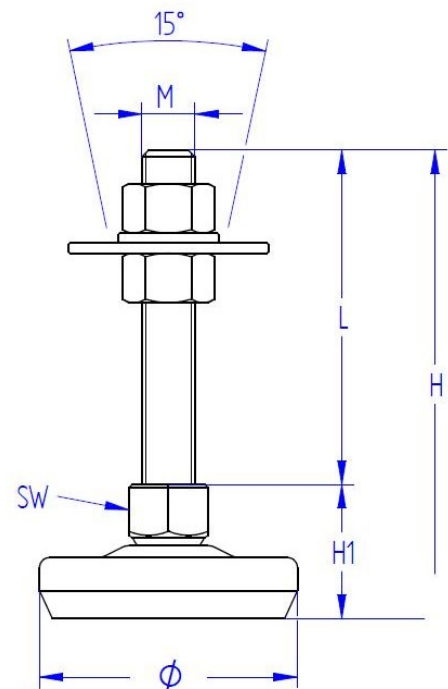
and

2 washers (1 x DIN 125 and 1 x DIN 9021)

not assembled

assembly of the nuts and washers and sand-blasting of the base plate  
available at extra charge

thread	standard thread lengths					
	L					
	in mm					
M 8	50	100	150	200	*250	*300
M 10	50	100	150	200	*250	*300
M 12	50	100	150	200	*250	*300
M 14	*50	100	150	200	250	*300
M 16	*50	100	150	200	250	*300
M 18	*50	100	150	200	250	*300
M 20	*50	100	150	200	250	300
M 24	*50	*100	150	200	250	300
M 24x1,5	*	*	*	*	*	*
M 30	*50	*100	150	200	250	300
M 30x1,5	*	*	*	*	*	*



measurement L of the levelling screw relates to the net thread length

optional: further thread sizes, special- and intermediate thread lengths as well as other metric fine pitch thread sizes

\* on request

## levelling elements LBE 10 PH | Ø 105 mm | version STAINLESS STEEL

base plate, thread, washers and nuts: stainless steel

VERSION STAINLESS STEEL	measurements ± 1 mm								
	description	article number	Ø mm	M	H mm	L mm	H <sub>1</sub> mm	SW mm	shore hardness ±5 Shore
LBE10/PH/M12x50	3000 0147	105	M 12	90	50	40	19	80	1200
LBE10/PH/M12x100	3000 0149	105	M 12	140	100	40	19	80	1200
LBE10/PH/M12x150	3000 0151	105	M 12	190	150	40	19	80	1200
LBE10/PH/M12x200	3000 0153	105	M 12	240	200	40	19	80	1200
LBE10/PH/M14x100	3000 0156	105	M 14	142	100	42	24	80	1200
LBE10/PH/M14x150	3000 0158	105	M 14	192	150	42	24	80	1200
LBE10/PH/M14x200	3000 0160	105	M 14	242	200	42	24	80	1200
LBE10/PH/M14x250	3000 0161	105	M 14	292	250	42	24	80	1200
LBE10/PH/M16x100	3000 0165	105	M 16	142	100	42	24	80	1200
LBE10/PH/M16x150	3000 0167	105	M 16	192	150	42	24	80	1200
LBE10/PH/M16x200	3000 0169	105	M 16	242	200	42	24	80	1200
LBE10/PH/M16x250	3000 0170	105	M 16	292	250	42	24	80	1200
LBE10/PH/M18x100	3000 0293	105	M 18	142	100	42	24	80	1200
LBE10/PH/M18x150	3000 0294	105	M 18	192	150	42	24	80	1200
LBE10/PH/M18x200	3000 0295	105	M 18	242	200	42	24	80	1200
LBE10/PH/M18x250	3000 0296	105	M 18	292	250	42	24	80	1200
LBE10/PH/M20x100	3000 0174	105	M 20	146	100	46	30	80	1200
LBE10/PH/M20x150	3000 0176	105	M 20	196	150	46	30	80	1200
LBE10/PH/M20x200	3000 0178	105	M 20	246	200	46	30	80	1200
LBE10/PH/M20x250	3000 0179	105	M 20	296	250	46	30	80	1200
LBE10/PH/M24x150	3000 0185	105	M 24	196	150	46	30	80	1200
LBE10/PH/M24x200	3000 0187	105	M 24	246	200	46	30	80	1200
LBE10/PH/M24x250	3000 0188	105	M 24	296	250	46	30	80	1200
LBE10/PH/M24x300	3000 0189	105	M 24	346	300	46	30	80	1200

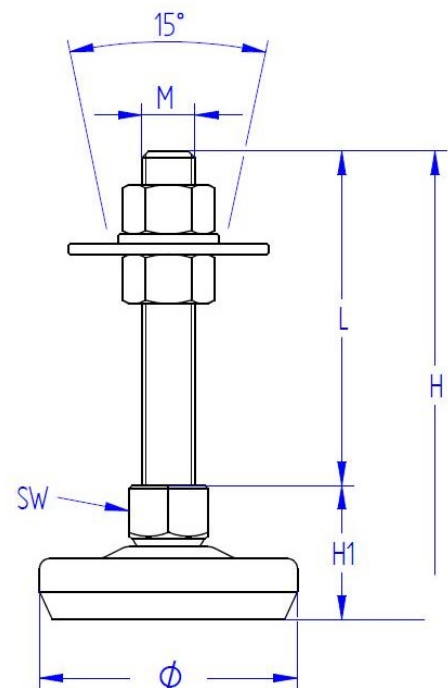
measurement L of the levelling screw relates to the net thread length

including:

- 2 nuts DIN 934
- and
- 2 washers (1 x DIN 125 and 1 x DIN 9021 - from M24 onwards: 2 x DIN 125)
- not assembled

assembly of the nuts and washers and sand-blasting of the base plate  
available at extra charge

thread	standard thread lengths					
	L					
	in mm					
M 8	50	100	150	200	*250	*300
M 10	50	100	150	200	*250	*300
M 12	50	100	150	200	*250	*300
M 14	*50	100	150	200	250	*300
M 16	*50	100	150	200	250	*300
M 18	*50	100	150	200	250	*300
M 20	*50	100	150	200	250	*300
M 24	*50	*100	150	200	250	300
M 24x1,5	*	*	*	*	*	*
M 30	*50	*100	150	200	250	300
M 30x1,5	*	*	*	*	*	*



measurement L of the levelling screw relates to the net thread length

optional: further thread sizes, special- and intermediate thread lengths as well as other metric fine pitch thread sizes

\* on request

## levelling elements LBE 13 PH | Ø 135 mm | version STAINLESS STEEL

base plate, thread, washers and nuts: stainless steel

VERSION STAINLESS STEEL	measurements ± 1 mm								
		Ø	M	H	L	H <sub>1</sub>	SW	shore hardness	load
description	article number	mm		mm	mm	mm	mm	±5 Shore	max. daN
LBE13/PH/M14x100	3000 0228	135	M 14	142	100	42	24	80	1500
LBE13/PH/M14x150	3000 0230	135	M 14	192	150	42	24	80	1500
LBE13/PH/M14x200	3000 0232	135	M 14	242	200	42	24	80	1500
LBE13/PH/M14x250	3000 0233	135	M 14	292	250	42	24	80	1500
LBE13/PH/M16x100	3000 0237	135	M 16	142	100	42	24	80	1500
LBE13/PH/M16x150	3000 0239	135	M 16	192	150	42	24	80	1500
LBE13/PH/M16x200	3000 0241	135	M 16	242	200	42	24	80	1500
LBE13/PH/M16x250	3000 0242	135	M 16	292	250	42	24	80	1500
LBE13/PH/M18x100	3000 0293	135	M 18	142	100	42	24	80	1500
LBE13/PH/M18x150	3000 0294	135	M 18	192	150	42	24	80	1500
LBE13/PH/M18x200	3000 0295	135	M 18	242	200	42	24	80	1500
LBE13/PH/M18x250	3000 0296	135	M 18	292	250	42	24	80	1500
LBE13/PH/M20x100	3000 0246	135	M 20	145	100	45	30	80	1500
LBE13/PH/M20x150	3000 0248	135	M 20	195	150	45	30	80	1500
LBE13/PH/M20x200	3000 0250	135	M 20	245	200	45	30	80	1500
LBE13/PH/M20x250	3000 0251	135	M 20	295	250	45	30	80	1500
LBE13/PH/M24x150	3000 0257	135	M 24	195	150	45	30	80	1500
LBE13/PH/M24x200	3000 0259	135	M 24	245	200	45	30	80	1500
LBE13/PH/M24x250	3000 0260	135	M 24	295	250	45	30	80	1500
LBE13/PH/M24x300	3000 0261	135	M 24	345	300	45	30	80	1500
LBE13/PH/M30x150	3000 0266	135	M 30	201	150	51	36	80	1500
LBE13/PH/M30x200	3000 0268	135	M 30	251	200	51	36	80	1500
LBE13/PH/M30x250	3000 0269	135	M 30	301	250	51	36	80	1500
LBE13/PH/M30x300	3000 0270	135	M 30	351	300	51	36	80	1500

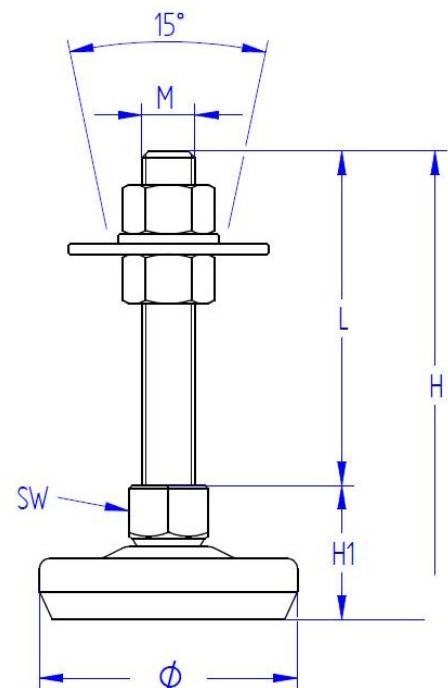
measurement L of the levelling screw relates to the net thread length

including:

- 2 nuts DIN 934
- and
- 2 washers (1 x DIN 125 and 1 x DIN 9021 - from M24 onwards: 2 x DIN 125)
- not assembled

assembly of the nuts and washers and sand-blasting of the base plate available at extra charge

thread	standard thread lengths						
	L						
	in mm						
M 8	50	100	150	200	*250	*300	
M 10	50	100	150	200	*250	*300	
M 12	50	100	150	200	*250	*300	
M 14	*50	100	150	200	250	*300	
M 16	*50	100	150	200	250	*300	
M 18	*50	100	150	200	250	*300	
M 20	*50	100	150	200	250	*300	
M 24	*50	*100	150	200	250	300	
M 24x1,5	*	*	*	*	*	*	
M 30	*50	*100	150	200	250	300	
M 30x1,5	*	*	*	*	*	*	



measurement L of the levelling screw relates to the net thread length

optional: further thread sizes, special- and intermediate thread lengths as well as other metric fine pitch thread sizes

\* on request

levelling elements LBE 7 BF PH | l x b 110 x 80 mm | STAINLESS STEEL  
with elongated holes for floor-fastening  
base plate, thread, washers and nuts: stainless steel



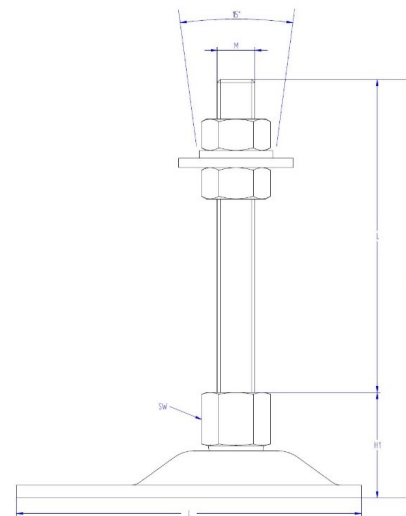
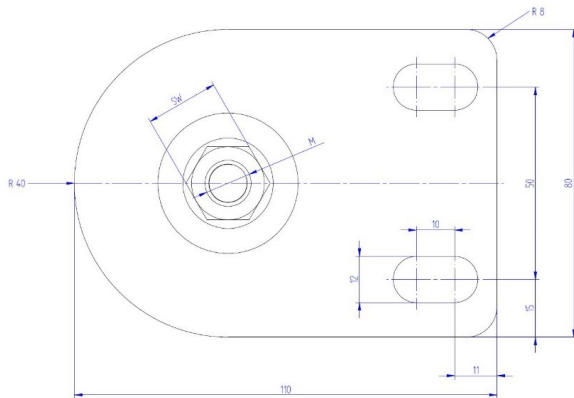
STAINLESS STEEL	measurements ± 1 mm							
	description	article number	l x b mm	M	H mm	L mm	H <sub>1</sub> mm	SW mm
LBE7/BF PH/M10x50	1999 0032	110 x 80	M 10	79	50	29	17	900
LBE7/BF PH/M10x100	1999 0000	110 x 80	M 10	129	100	29	17	900
LBE7/BF PH/M10x150	1999 0033	110 x 80	M 10	179	150	29	17	900
LBE7/BF PH/M10x200	1999 0034	110 x 80	M 10	229	200	29	17	900
LBE7/BF PH/M12x50	1999 0035	110 x 80	M 12	82	50	32	19	1000
LBE7/BF PH/M12x100	1999 0001	110 x 80	M 12	132	100	32	19	1000
LBE7/BF PH/M12x150	1999 0036	110 x 80	M 12	182	150	32	19	1000
LBE7/BF PH/M12x200	1999 0037	110 x 80	M 12	232	200	32	19	1000
LBE7/BF PH/M14x50	1999 0038	110 x 80	M 14	84	50	34	24	1100
LBE7/BF PH/M14x100	1999 0039	110 x 80	M 14	134	100	34	24	1100
LBE7/BF PH/M14x150	1999 0040	110 x 80	M 14	184	150	34	24	1100
LBE7/BF PH/M14x200	1999 0041	110 x 80	M 14	234	200	34	24	1100
LBE7/BF PH/M14x250	1999 0042	110 x 80	M 14	284	250	34	24	1100
LBE7/BF PH/M16x100	1999 0002	110 x 80	M 16	134	100	34	24	1200
LBE7/BF PH/M16x150	1999 0043	110 x 80	M 16	184	150	34	24	1200
LBE7/BF PH/M16x200	1999 0044	110 x 80	M 16	234	200	34	24	1200
LBE7/BF PH/M16x250	1999 0045	110 x 80	M 16	284	250	34	24	1200
LBE7/BF PH/M18x100	1999 0046	110 x 80	M 18	134	100	34	24	1300
LBE7/BF PH/M18x150	1999 0047	110 x 80	M 18	184	150	34	24	1300
LBE7/BF PH/M18x200	1999 0048	110 x 80	M 18	234	200	34	24	1300
LBE7/BF PH/M18x250	1999 0049	110 x 80	M 18	284	250	34	24	1300
LBE7/BF PH/M20x100	1999 0003	110 x 80	M 20	137	100	37	30	1400
LBE7/BF PH/M20x150	1999 0050	110 x 80	M 20	187	150	37	30	1400
LBE7/BF PH/M20x200	1999 0051	110 x 80	M 20	237	200	37	30	1400
LBE7/BF PH/M20x250	1999 0052	110 x 80	M 20	287	250	37	30	1400
LBE7/BF PH/M20x300	1999 0053	110 x 80	M 20	337	300	37	30	1400
LBE7/BF PH/M24x150	1999 0004	110 x 80	M 24	187	150	37	30	1500
LBE7/BF PH/M24x200	1999 0054	110 x 80	M 24	237	200	37	30	1500
LBE7/BF PH/M24x250	1999 0055	110 x 80	M 24	287	250	37	30	1500
LBE7/BF PH/M24x300	1999 0056	110 x 80	M 24	337	300	37	30	1500

measurement L of the levelling screw relates to the net thread length

including: 2 nuts DIN 934 and 2 washers (1 x DIN 125 and 1 x DIN 9021 - from M24 onwards: 2 x DIN 125) - not assembled

assembly of the nuts and washers and sand-blasting of the base plate available at extra charge

levelling elements LBE 7 BF PH | l x b 110 x 80 mm | STAINLESS STEEL  
with elongated holes for floor-fastening



thread	standard thread lengths					
	L					
	in mm					
M 8	50	100	150	200	*250	*300
M 10	50	100	150	200	*250	*300
M 12	50	100	150	200	*250	*300
M 14	50	100	150	200	250	*300
M 16	*50	100	150	200	250	*300
M 18	*50	100	150	200	250	*300
M 20	*50	100	150	200	250	300
M 24	*50	*100	150	200	250	300
M 24x1,5	*	*	*	*	*	*
M 30	*50	*100	150	200	250	300
M 30x1,5	*	*	*	*	*	*

measurement L of the levelling screw relates to the net thread length

optional: further thread sizes, special- and intermediate thread lengths as well as other metric fine pitch thread sizes

\* on request

## floor-fastening plates BFPK for levelling elements LBE PH

These fastening plates are made of high-strength compound material, precision-milled to shape and equipped with elongated holes for ground dowels. Suitable to keep machines in place, where strong horizontal forces and the tendency to wander occurs. Installation is simple and can be applied even retroactively with already existing set-ups in combination with our levelling elements LBE PH.

Available in 3 sizes: floor-fastening plate BFPK 7 suitable for levelling elements LBE 7 PH ( base diameter 76 mm ), floor-fastening plate BFPK 10 suitable for levelling elements LBE 10 PH ( base diameter 105 mm ) and floor-fastening plate BFPK 13 suitable for levelling elements LBE 13 PH ( base diameter 135 mm ).

optional:

suitable bolt anchors for fastening in the ground ( refer to page 17 - to be ordered separately )

### produkt highlights:



high-strength compound material  
3 sizes available



elongated holes for bolt anchors  
milled to precision



easy installation



applicable also retroactively with  
already existing machine installations

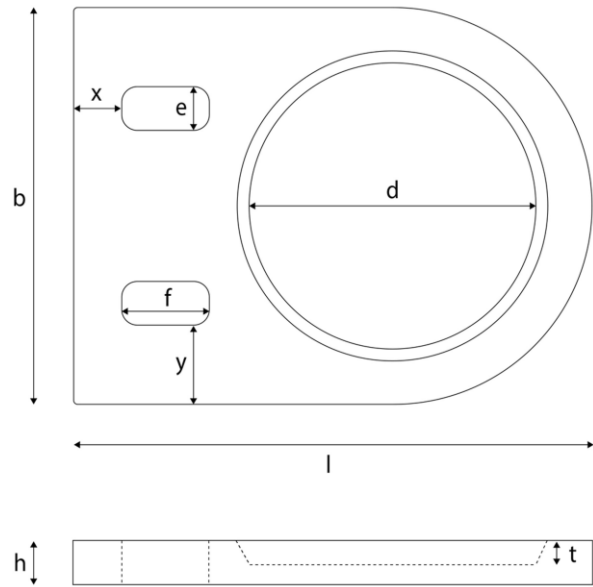
## floor-fastening plates BFPK

for levelling elements LBE PH

milled compound material		suitable for	lxb	h	t	d	e	f	x	y
description	article number	levelling elements	mm	mm	mm	mm	mm	mm	mm	mm
BFPK 7	1998 0001	LBE 7 PH	130x100	11	6	71	11	22	12	20
BFPK 10	1998 0002	LBE 10 PH	182,5x125	11	6	99	13	35	17	20
BFPK 13	1998 0003	LBE 13 PH	229,5x159	11	6	129,5	18	40	15	20



**BFPK 7**  
here shown with LBE 7 PH M16x100



schematic drawing  
BFPK



**BFPK 10**  
here shown with LBE 10 PH M20x100



**BFPK 13**  
here shown with LBE 13 PH M24x150



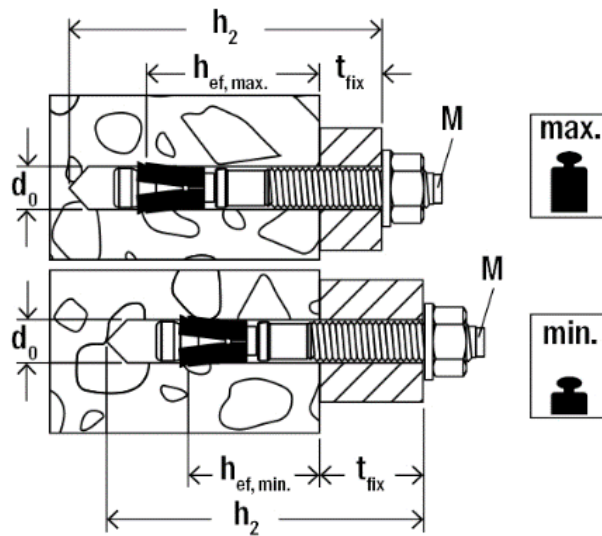
**bolt anchors FAZ**

for securing the levelling elements LBE 7 BF PH and the floor-fastening plates BFPK in the ground



zinc galvanized ( gvz )

type		thread	key width	nominal drill diameter	min. drill hole depth with stick-through mounting	dowel length	max. net length	assembly torque
		Ø x length	SW	d <sub>0</sub>	h <sub>2</sub>	l	h <sub>ef,max./h<sub>ef,min</sub></sub>	
description	article number	mm	mm	mm	mm	mm	t <sub>fix</sub>	Nm
<b>suitable for LBE 7 BF PH &amp; BFPK 7</b>								
FAZ II 10/20 gvz	10320 00010	M 10 x 63	17	10	95	105	20/40 mm	45
<b>suitable for BFPK 10</b>								
FAZ II 12/10 gvz	10320 00007	M 12 x 61	19	12	100	110	10/30 mm	60
<b>suitable for BFPK 13</b>								
FAZ II 16/5 gvz	10320 00016	M 16 x 64	24	16	115	128	5/25 mm	110



picture of the bolt anchor on page 3 and page 17 and schematic drawing on page 17 courtesy fischer Dübel company

mounting scheme  
bolt anchors FAZ

## data on materials and tolerances

### elastomers

shore-hardness A measurement: according to DIN 53505 or rather DIN ISO 7619-1  
tolerances for dimensions with tool-form based elastomer parts according to DIN ISO 3302-1, class M3  
materials: NBR 55° / 75° / 90° ±5 shore A, dimensional tolerance ±1 mm

### threads / levelling screws

according to DIN 976 -/- manufacturing tolerance: according to ISO 2768-mk  
materials: steel blank 4.8 - steel zinc-coated 4.8 - stainless steel A2

### manufacturing components from hexagonal bar material

according to EN 10277/10278 -/- manufacturing tolerance: according to ISO 2768-mk  
materials: steel blank 11SMn30+C -/- stainless steel 1.4305

Technical modifications subject to change! Any previous versions of this document are herewith null and void!